



Department of  
**Agriculture,  
Food and the Marine**

An Roinn  
**Talmhaíochta,  
Bia agus Mara**

**T05/591A**

**AQUACULTURE LICENCE**

**AQUACULTURE MARINE AQUATIC  
PLANTS/FISH FOOD LONGLINES**

**Wild Atlantic Sea Products Ltd**

**South Allihies**

**Allihies**

**Beara**

**Co. Cork**

## TABLE OF CONTENTS

1. LICENSED AREA
  2. SPECIES, CULTIVATION AND METHOD LICENSED
  3. INFRASTRUCTURE AND SITE MANAGEMENT
    - INDEMNITY
    - DESIGN, ARRANGEMENT AND MAINTENANCE OF STRUCTURES
    - OPERATIONAL CONDUCT
    - WASTE MANAGEMENT
    - INSPECTION
  4. NAVIGATION AND SAFETY
  5. MONITORING
  6. DURATION, CESSATION, REVIEW, REVOCATION, AMENDMENT, ASSIGNMENT
    - DURATION, CESSATION
    - REVIEW
    - REVOCATION, AMENDMENT
    - ASSIGNMENT
  7. FEES
  8. GENERAL TERMS AND CONDITIONS
    - NOTIFICATION
    - TAX CLEARANCE CERTIFICATE
    - COMPANIES AND COOPERATIVES
    - CLEARANCE OF SITE
- SCHEDULE 1  
SCHEDULE 2  
SCHEDULE 3  
SCHEDULE 4

T05/591A

**AQUACULTURE LICENCE NO. XXXX**

**GRANTED UNDER THE FISHERIES (AMENDMENT) ACT 1997 (No. 23 of 1997)**

The Minister for Agriculture, Food and the Marine (hereinafter referred to as the "Minister"), in exercise of the powers conferred on him by the Fisheries (Amendment) Act 1997 (No. 23 of 1997) (hereinafter referred to as the "Act"), hereby grants an Aquaculture Licence to:

**Wild Atlantic Sea Products Ltd**  
**South Allihies**  
**Allihies**  
**Beara**  
**Co. Cork**

(hereinafter referred to as the "Licensee") for the cultivation of seaweeds on a site adjacent to Bank Harbour, Castletownbere, Bantry Bay, Co. Cork, as specified in Schedule 1 attached (numbered T05/591A) and indicated by a red line on the attached map in accordance with the plans and drawing(s) in Schedule 2 attached as approved of by the Minister, subject to the Act and Regulations made under the Act and to the terms and conditions set out on the attached pages.

This Aquaculture Licence shall remain in force for a maximum period of XXXX (XX) years commencing on XX XXXXXXXXXXXX 20XX, provided for so long as the Foreshore Licence granted on XX XXXXXXXXXXXX 20XX, under section 3(1) of the Foreshore Act 1933 (No. 12 of 1933) in respect of the same site for the purpose referred to is in force.

---

A person authorised under Section 15(1)  
of the Ministers and Secretaries Act 1924 to  
authenticate the Seal of the Minister for  
Agriculture, Food and the Marine.



## TERMS AND CONDITIONS APPLYING TO THIS AQUACULTURE LICENCE

### 1. Licensed Area

- 1.1. The area specified in *Schedule 1* attached (18.75 hectares) (labelled T05/591A) and outlined in red on the map(s) in *Schedule 1*.
- 1.2. The co-ordinates for the site are based on the Irish National Grid Co-ordinate System.

### 2. Species, Cultivation and Method Licensed

- 2.1. Species to be farmed: *Alaria exculenta* (Winged Kelp), *Laminaria digitata* (Oarweed), *Saccharina latissimi* (Sugar Kelp) and *Laminaria palmata* (Dulse).
- 2.2. Method: Longline Grid System - subject to the seedling plant and/or deployment limits as may be specified in *Schedule 1* attached.

### 3. Infrastructure and Site Management

#### Indemnity

- 3.1. The Licensee shall indemnify and keep indemnified the State, the Minister, his officers, servants or agents against all actions, loss, damage, costs, expenses and any demands or claims however arising in connection with the construction, maintenance or use of any structures, apparatus, equipment or any other thing used in connection with the licensed operation in the licensed area or in the exercise of the rights granted under the licence and the Licensee shall take such steps as the Minister may specify in order to ensure compliance with this condition.
- 3.2. The duty of maintenance and responsibility for the upkeep and safety of the site rests with the Licensee.

#### Design, Arrangement and Maintenance of Structures

- 3.3. The Licensee shall ensure that the equipment (including all flotation, mooring and anchoring devices) is placed within the licensed area only. Storage or placement of equipment or plants on the foreshore or seashore outside the licensed area is not permitted under any circumstances.
- 3.4. The Minister may direct as to the deployment of apparatus, including number or orientation of longlines and flotation devices and their colour, within the site.
- 3.5. The Licensee shall obtain the prior approval of the Minister to any proposed material change to the plan/drawings or equipment as approved being used during the licensing period as specified in *Schedule 2* attached.
- 3.6. The Licensee shall at all times for the duration of the licence keep all equipment used for the purposes of the licensed operations in a good and proper state of repair and condition to the satisfaction of the Minister or other competent State authority.

- 3.7. The Licensee shall ensure that the ends of each longline in the licensed area legibly bear the Aquaculture Licence Number in an indelible weatherproof format.

#### Operational Conduct

- 3.8. The Licensee shall conduct its operations in a safe manner and with regard for other persons in the area and the environment and shall ensure that the operations are not injurious to adjacent lands or the public interest (including the environment) and do not interfere with navigation or other lawful activity in the vicinity of the licensed area, and shall comply with any lawful directions issued by the Minister and any other competent State authority in that regard.
- 3.9. The Licensee shall ensure that any aquaculture or other activity conducted under this licence does not adversely affect the integrity of the Natura 2000 network (if applicable) through the deterioration of natural habitats and the habitats of species and/or through disturbance of the species for which the area has been designated in so far as such a disturbance may be significant in relation to the stated conservation objectives of the site concerned.
- 3.10. The Licensee shall ensure that best practice is employed to keep structures and netting clean at all times and any biofouling by alien invasive species shall be removed and disposed of in a responsible manner. In particular, in 'Natura 2000' sites care must be taken to ensure that any biofouling by alien invasive species will not pose a risk to the conservation features of the site. Measures to be undertaken are set out in the draft Marine Code of Practice prepared by Invasive Species Ireland and can be found on the web site at <http://invasivespeciesireland.com/>.

#### Waste Management

- 3.11. The Licensee shall ensure that the licensed and adjoining areas shall be kept clear of all redundant structures (including apparatus, equipment and/or uncontained plants), waste products and operational litter or debris and shall make provision for the prompt removal and proper disposal of such material. If the Licensee refuses or fails to do so, the Minister may cause the said structures, apparatus, equipment or other things to be removed and the licensed area restored and shall be entitled to recover from the Licensee as a simple contract debt in any court of competent jurisdiction all costs and expenses incurred by him in connection with the removal and restoration.

#### Inspection

- 3.12. The licensed area and any equipment, structure, thing, or premises wherever situated used in connection with operations carried out in the licensed area shall be open for inspection at any time by an authorised person (within the meaning of section 292 of the Fisheries (Consolidation) Act 1959) (No. 14 of 1959) (as amended by the Fisheries Act 1980) (No. 1 of 1980), a Sea Fisheries Protection Officer (within the meaning of the Sea Fisheries and Maritime Jurisdiction Act 2006) (No. 8 of 2006) or any other person appointed in that regard by the Minister or other competent State authority.



3.13. The Licensee shall give all reasonable assistance to an authorised officer or a Sea Fisheries Protection Officer or any person duly appointed by any competent State authority to enable the person or officer enter, inspect, examine, measure and test the licensed area and any equipment, structure, thing or premises used in connection with the operations carried out in the licensed area and to take whatever samples may be deemed appropriate by that person or officer.

3.14. The Licensee shall keep and maintain in the State for inspection on demand by the Minister or a competent State authority, at all times, records of all operations including compliance monitoring and any required follow up action. These records shall be produced by the Licensee on demand by the Minister or other competent State authority and in any event not later than 24 hours from the making of that demand.

3.15. The Licensee shall furnish to the Minister or other competent State authority in the form and at the intervals determined by the Minister or other competent State authority, such information relating to the licensed area as may be required to determine compliance by the Licensee with the terms of the licence and applicable legislation.

#### 4. Navigation and Safety

4.1. The Licensee shall ensure that statutory sanction from the Commissioners of Irish Lights is in place prior to the commencement of operations, regarding all aids to navigation. Statutory Sanction forms are available at <http://www.cil.ie/safety-navigation/statutory-sanction.aspx>.

4.2. The Licensee shall ensure that the site is marked in accordance with the requirements of both the Marine Survey Office and the Commissioners of Irish Lights as specified in *Schedule 3*.  
The navigation marking details are also illustrated in *Schedule 3*.

4.3. The Licensee shall comply with any specification requirement relating to navigational aids, flotation and mooring devices supporting/marking posts/poles, as required by the Minister or any other competent State authority.

4.4. Prior to commencement of operation the Licensee shall inform the UK Hydrographic Office at Taunton, of the location and nature of the site in order that charts and nautical publications can be updated. Tel: 00 44 1823337900 Fax: 00 44 1823 284077 Email [sdr@ukho.gov.uk](mailto:sdr@ukho.gov.uk) and the Licensee shall submit proof to the Department within 14 days of the date of this licence that the UK Hydrographic Office has been so informed.

#### 5. Monitoring

5.1. The Licensee shall undertake and/or partake monitoring, in particular environmental monitoring, as directed by the Minister or other competent State authority.

6. **Duration, Cessation, Review, Revocation, Amendment, Assignment**

**Duration, Cessation**

6.1. This Licence shall remain in force until XX XXXXXXXXXX, 20XX and as long as the accompanying Foreshore Licence remains in force.

**Review**

6.2. The Licensee may apply for a review of the licence at any time after the expiration of three years since the granting of the licence or its last renewal in accordance with section 70 of the Act.

**Revocation, Amendment**

6.3. Subject to the Act, the Minister may revoke or amend the licence if:-

- (a) he considers that it is in the public interest to do so;
- (b) he is satisfied that there has been a breach of any condition specified in the licence e.g., operating outside the licensed area;
- (c) the licensed area to which the licence relates is not being properly maintained;
- (d) water quality results or general performance in the licensed area do not meet the standards set by the Minister or the competent State authority.

**Assignment**

6.4. This Licence shall not be assigned without the prior written consent of the Minister and may not be assigned during the period of three years, dating from the commencement or renewal of this licence, unless the Minister determines that it may be assigned under condition 6(5), or the condition set out in 6(6) applies.

6.5. A Licensee who considers that there are exceptional reasons for the assignment of the Licence during the first three years, may apply to the Minister, giving those reasons, for a determination that the Licence may be assigned. The Minister may, at his discretion, having considered the reasons given by the Licensee, determine whether or not the licence may be assigned. The determination of the Minister in this regard is final.

6.6. Where the Licensee is a company (within the meaning of the Companies Acts) and goes into Liquidation (within the meaning of the Companies Acts) in the first three years dating from the commencement of the licence, the Liquidator shall, with the consent of the Minister, be entitled to assign the licence to enable him to discharge any debts of the liquidated company.

6.7. This licence is issued subject to any order that the High Court may make under section 218 of the Companies Act 1963 or otherwise with regard to the assignment of this licence.

7. **Fees**

7.1. The Licensee shall pay to the Minister an annual aquaculture licence fee in accordance with the Aquaculture (Licence Application and Licence Fees) (No. 2) Regulations 1998 (S.I. No. 324/1998) as amended by the Aquaculture (Licence



Fees) Regulations 2000 (S.I. No. 282 of 2000) or an amount payable under Regulations made under section 64 of the Act.

7.2. The Minister may revoke the licence where the Licensee fails to pay the aquaculture licence fees on demand.

## 8. General Terms and Conditions

8.1. The Licensee shall at all times comply with all laws applicable to aquaculture operations.

8.2. Any reference to a statute or an act of an institution of the European Union (whether specifically named or not) includes any amendments or re-enactments in force and all statutory instruments, orders, notices, regulations, directions, bye-laws, certificates, permissions and plans made, issued or given effect under such legislation shall remain valid.

8.3. If any condition or part of a condition in this licence is held to be illegal or unenforceable in whole or in part, such condition shall be deemed not to form part of this licence but the enforceability of the remainder of this licence is not affected.

8.4. The Licensee shall at all times hold all necessary licences, consents, permissions, permits or authorisations associated with any activities of the Licensee in connection with the licensed area.

### Notification

8.5. Without prejudice to any other remedy under the licence or in law, if the Minister is of the view that the Licensee is in breach of any obligation under this licence, the Minister may, by notice in writing, require that the Licensee rectifies such breach, within such time as is specified by the Minister. The Licensee shall comply with any direction of the Minister within the time specified in the notice.

8.6. Any notice to be given by the Minister may be transmitted through the Post Office addressed to the Licensee at the last known address of the Licensee.

8.7. The Licensee shall notify the Minister within 7 days of any change in the Licensee's address, telephone, e-mail or facsimile number.

### Tax Clearance Certificate

8.8. During the term of this licence the Licensee shall provide to the Minister on demand a current tax clearance certificate.

### Companies and Co-operatives

8.9. In the event of the licence being granted to a company (within the meaning of the Companies Acts), control of the licensee company shall not change in any respect from the control of the company as existed on the date that the licence was granted so long as this licence shall remain in force save with the prior written permission of the Minister.



- 8.10. In the event of a licence being granted to a company that has been incorporated outside this State, the licensee company shall register with the Companies Registration Office within one month of the establishment of a place of business in the State or alternatively, within one month of the establishment of a branch of the said company in the State and the licensee company shall submit proof to the Department within 14 days of the end of that month that it has been so registered.
- 8.11. Where the licensee is a Company within the meaning of the Companies Acts, the licensee company shall ensure that it does not become dissolved within the meaning of the Companies Acts for so long as this licence shall remain in force.
- 8.12. In the event of the licence being granted to a society (within the meaning of section 2 of the Industrial and Provident Societies (Amendment) Act 1978 (No.23 of 1978) the following conditions shall apply:-
- 8.12.1. The rules relating to membership of the society shall enable any resident of the State to become a member of it where the resident fulfils all the conditions laid down by the society for membership of it and the rules shall not lay down different conditions for different classes of people;
- 8.12.2. The rules relating to the society as submitted to the Minister before the grant of this licence shall not be amended subsequently other than with the written permission of the Minister; and
- 8.12.3. The Minister may, if he considers it necessary in the interests of good management of the licensed area, direct that an amendment may be made to the rules of the society and the Licensee shall amend the rules in accordance with that direction.

#### Clearance of Site

- 8.13. The Licensee shall, at the Licensee's own expense if so required by written notice from the Minister and within three weeks after receipt of such notice or on cessation of the licence for any cause, remove the structures, apparatus, equipment or any other thing to the satisfaction of the Minister. If the Licensee refuses or fails to do so, the Minister may cause the said structures, apparatus, equipment or other thing to be removed and the licensed area restored and shall be entitled to recover from the Licensee as a simple contract debt in any court of competent jurisdiction all costs and expenses incurred by him in connection with the removal and restoration. The Licensee shall take such steps as the Minister may specify in order to secure compliance with this condition.

## SCHEDULE 1

Schedule 1 contains:

- the co-ordinates of the site based on the Irish National Grid Co-ordinate System and the area of the site
- site map(s) which also shows the access/egress route to and from the site
  - General access to the farm is from the pier in Castletownbere and some access also from Bank Pier.
- a chart showing the location of the site in relation to the surrounding area.

DRAFT



**1 NO. SITE AT BANTRY BAY CO.CORK**

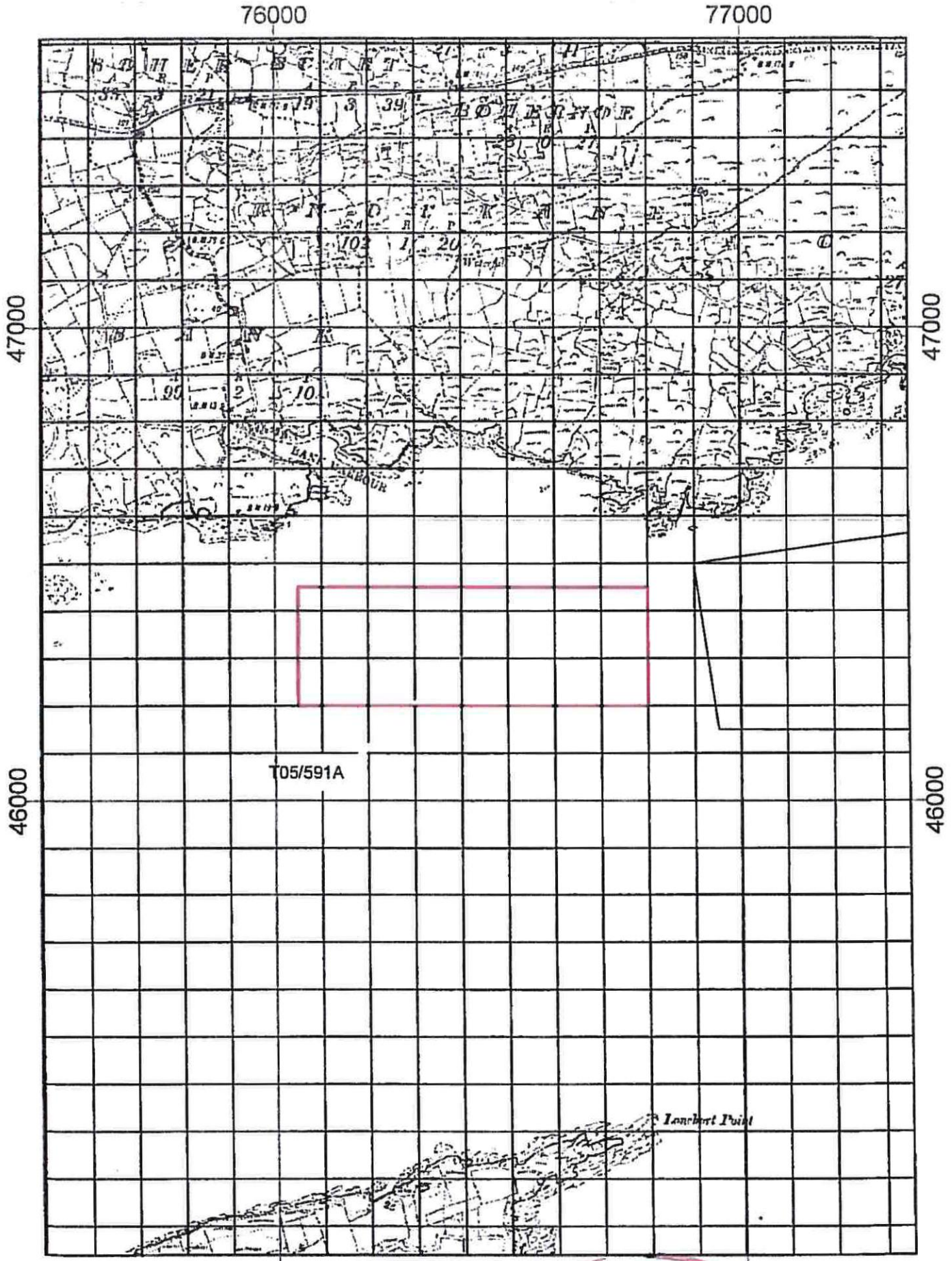
**Co-ordinates & Area**

**Site T05/591A (18.75 Ha)**

The area seaward of the high water mark and enclosed by a line drawn from Irish National Grid Reference point

076050, 046450 to Irish National Grid Reference point  
076800, 046450 to Irish National Grid Reference point  
076800, 046200 to Irish National Grid Reference point  
076050, 046200 to the first mentioned point.





- Aqua Culture Sites**  
 <all other values>  
 Site\_Status
- Application
  - Lapsed
  - Licensed
  - Refused
  - Revoked
  - Surrendered
  - Withdrawn
  - 100 Meter Reference Grid

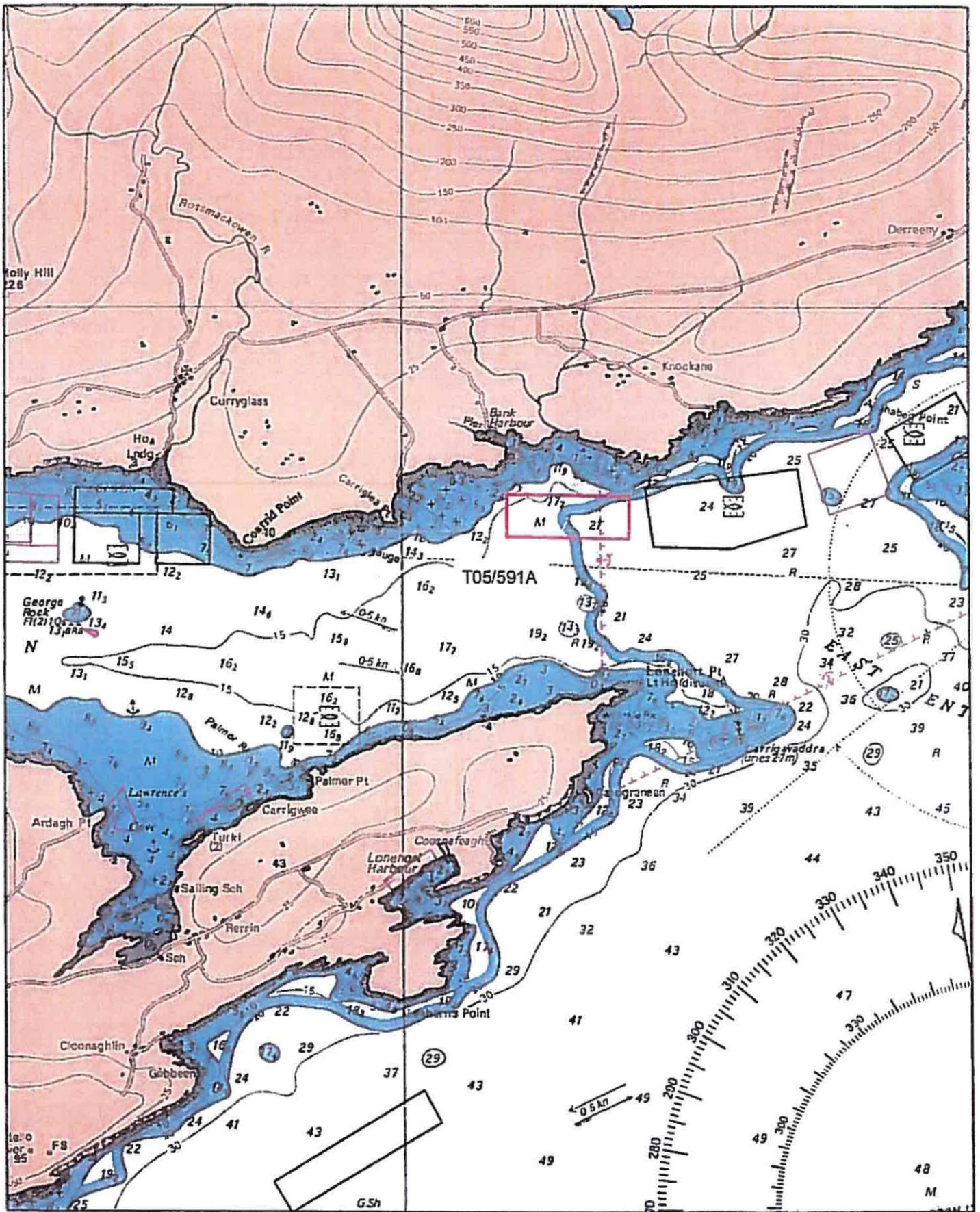
1:10,560

Sites highlighted in red denotes Application  
 Ordnance Survey Ireland Licence No. EN 0076413  
 © Ordnance Survey Ireland/Government of Ireland



Department of  
**Agriculture,  
 Food and the Marine**  
 An Roinn  
**Talmhaíochta,  
 Bia agus Mara**





**Aqua Culture Sites**  
(all other values)

Site_Status	Application
	Lapsed
	Licensed
	Refused
	Revoked
	Surrendered
	Withdrawn

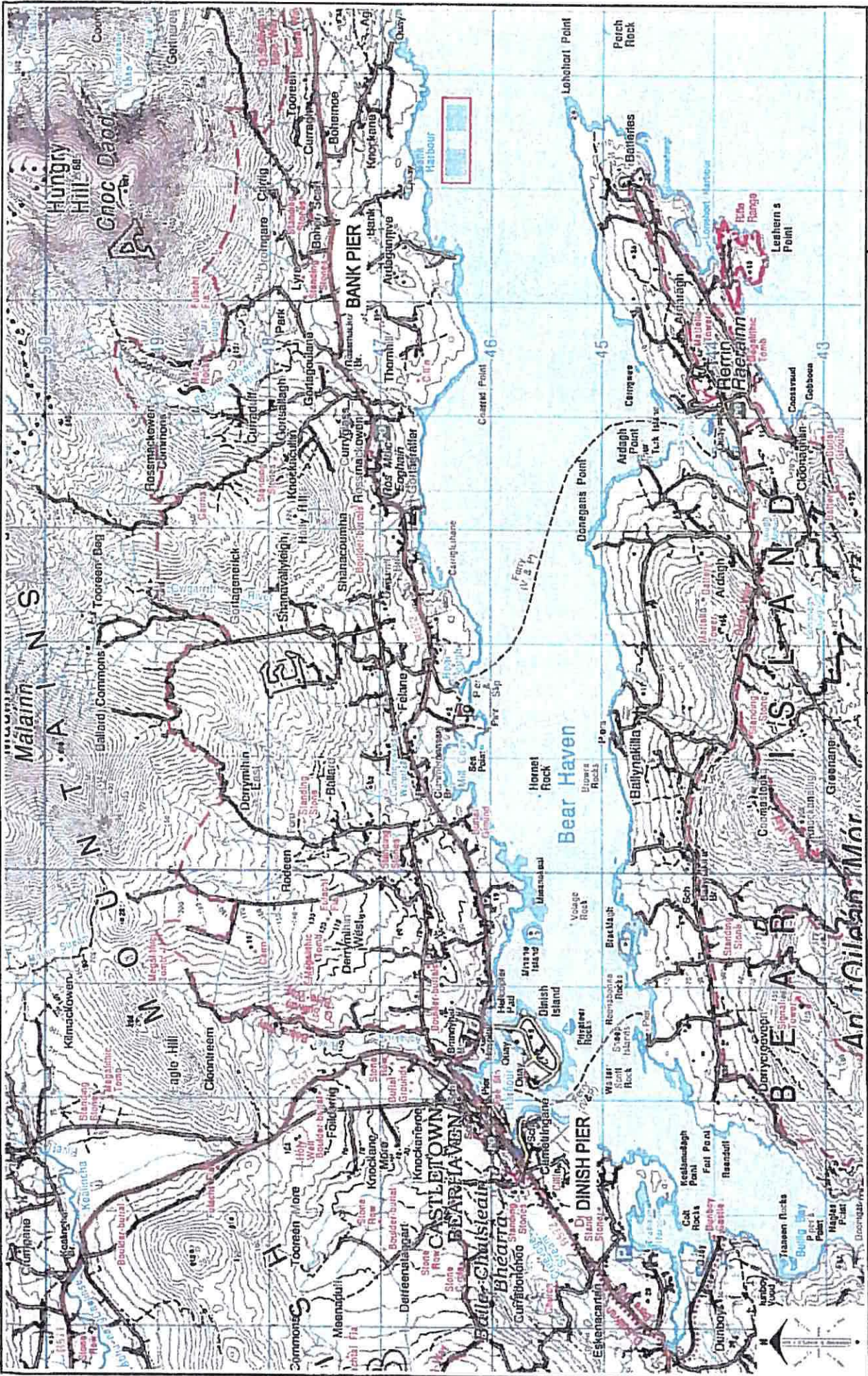
1:30,000

Sites highlighted in red denotes Application  
Part of Admiralty Chart No =1840-0  
Not to be used for Navigation



Department of  
**Agriculture,  
Food and the Marine**  
An Roinn  
Talmhaíochta,  
Bia agus Mara





<p>Wild Atlantic Sea Products Ltd          101 Bannary Bay, Co Cork          (DANK, CASTLEOWNBERRY)</p>	<p>Scale: 1:50,000          Issue for: ANISLEIGH TRUST          Project: ANISLEIGH TRUST - SEALED PERS          Date: 30/01/2017</p>	<p>John J. O'Sullivan &amp; Associates          Planning &amp; Architectural Consultants - Consulting Engineers &amp; Surveyors          'Lindus', Reenmore East, OLENDARRIFF, Co. Cork, P75 YX02 Ireland          Tel: 027 831200 Fax: 027 835557          Email: john@jsoa.ie Website: www.jsoa.ie</p>	<p>John Giblin, B.Sc. Arch. Tech          Grand Harington, 0 Sc Arch. Tech          30/01/2017          Pa. No. 100431501-Dxco_Map-000117</p>
---	--	--	---



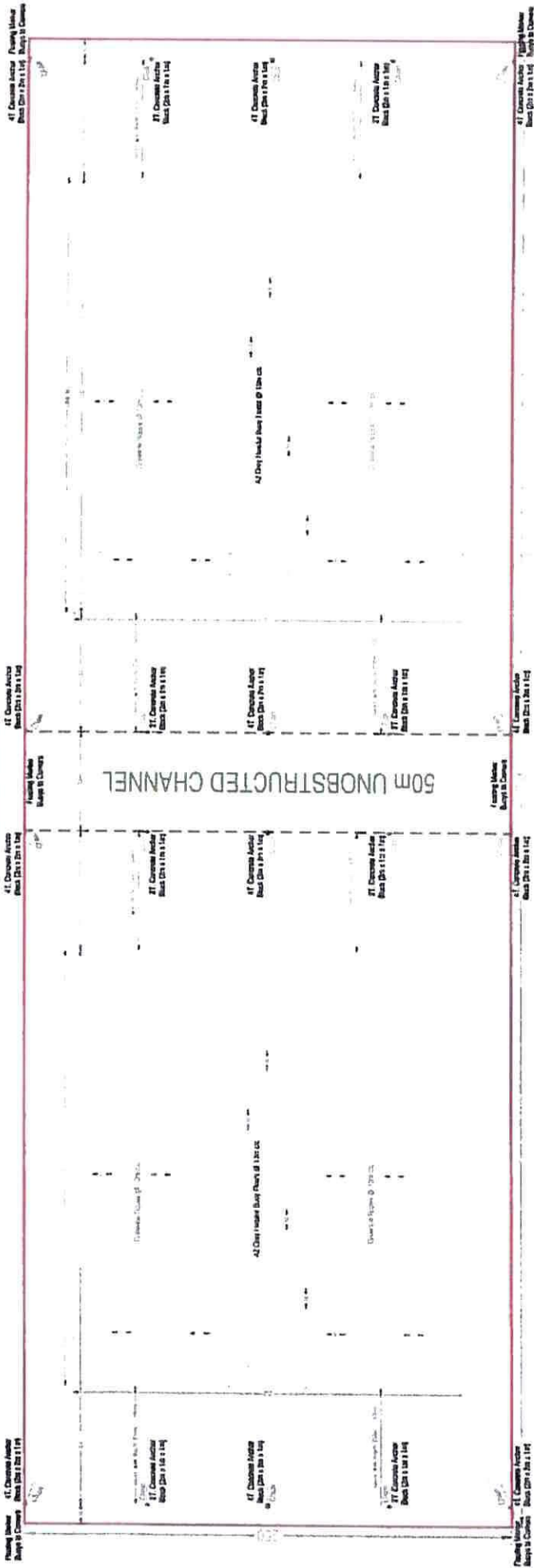
## SCHEDULE 2

Schedule 2 contains:

- the approved plans and drawing(s)

DRAFT

**Aquaculture Licence Application Area Overlaid in RED**  
**Application Area = 18.75 Hectares**



**Proposed Seaweed Farm - Anchor Blocks Plan; with Partial Growlines & Header Buoy Floats Shown**  
**Scale: 1:1,000**

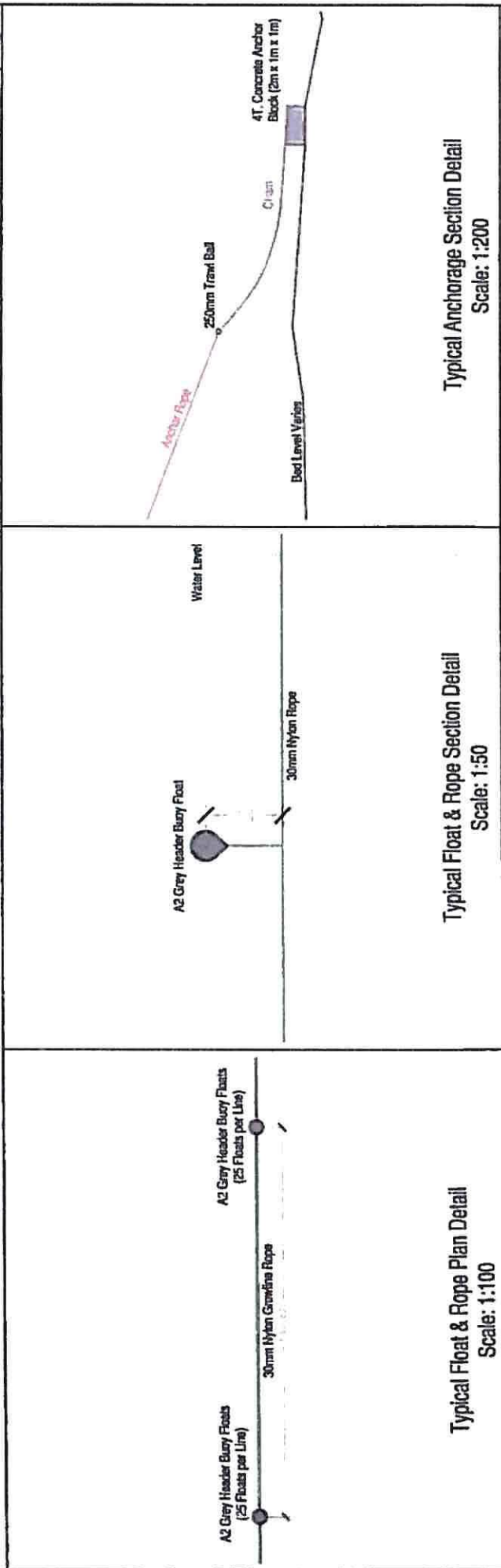
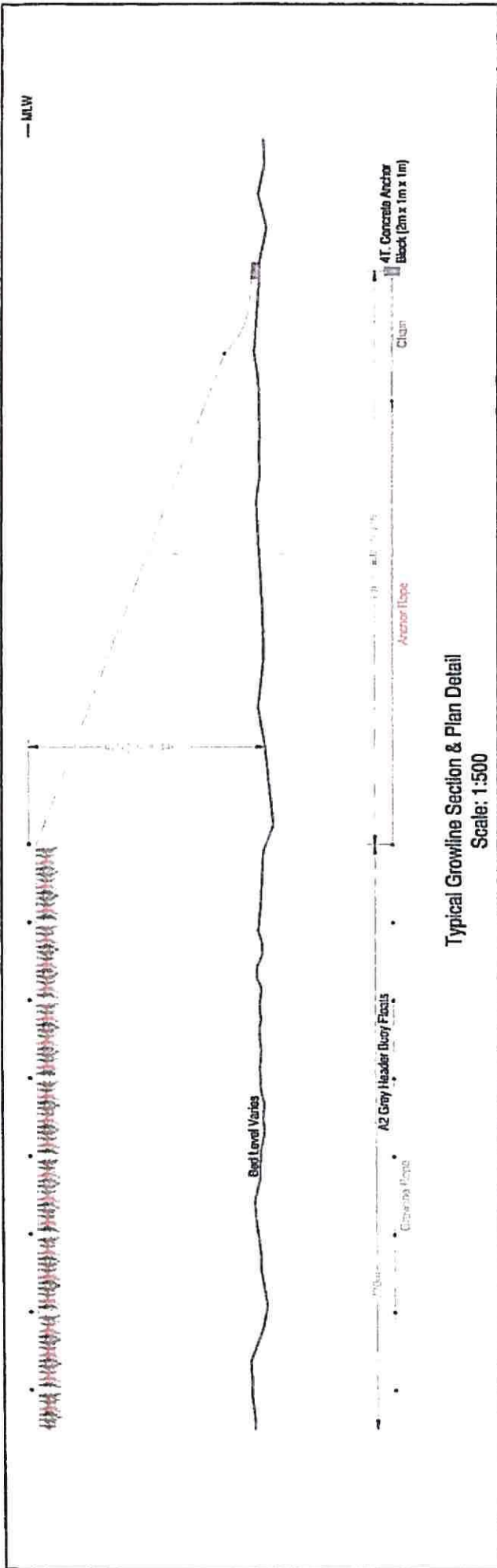


**Proposed Seaweed Farm - Full Section**  
**Scale: 1:1,000**

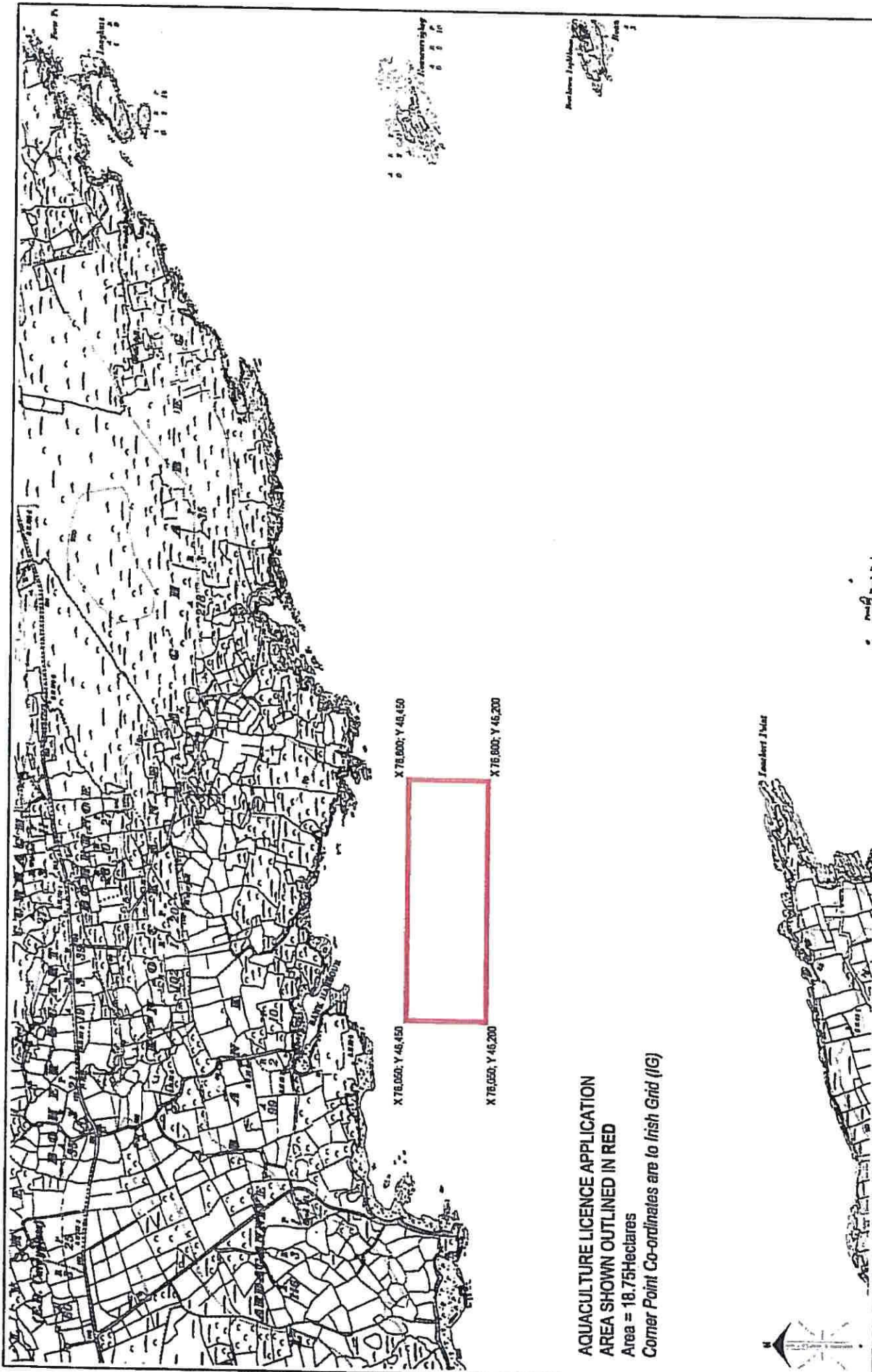
<p><b>JOHN J. O'SULLIVAN &amp; ASSOCIATES</b>          Planning &amp; Architectural Consultation - Consulting Engineers &amp; Surveyors</p>	
<p>Project No: 18/16/02/01</p>	<p>Scale: 1:1,000</p>
<p>Date: 11/10/18</p>	<p>Sheet: 1 of 1</p>
<p>Client: [Redacted]</p>	<p>Project: [Redacted]</p>

<p>Project: [Redacted]</p>	<p>Scale: 1:1,000</p>
<p>Date: 11/10/18</p>	<p>Sheet: 1 of 1</p>
<p>Client: [Redacted]</p>	<p>Project: [Redacted]</p>

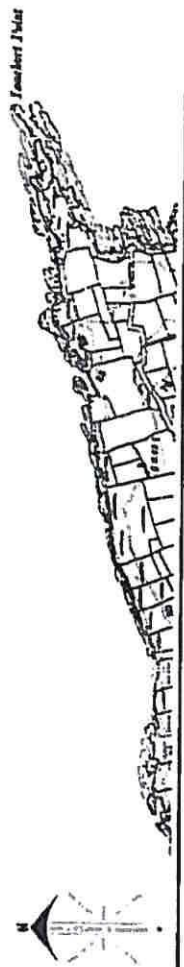




<p><b>Typical Float &amp; Rope Plan Detail</b> Scale: 1:100</p>		<p><b>Typical Float &amp; Rope Section Detail</b> Scale: 1:50</p>		<p><b>Typical Anchorage Section Detail</b> Scale: 1:200</p>	
<p>Client: WILD ATLANTIC SEA PRODUCTS LTD Project: SEAWATER AQUACULTURE LICENCE APPLICATION, IN COUNTY DUBLIN, CO. DUBLIN (BANK, CASTLEBOMBARDY)</p>		<p>Issue: ISSUE FOR AQUACULTURE LICENCE Proposed Layout Plan &amp; SECTION DETAILS AJ - AS SHOWN GKHG</p>		<p>Drawn by: John Deehan, B.Sc. Tech. Tech. Checked by: Gerard Hanlon, B.Sc. Tech. Tech. Date: 30/01/2017 No. V. 10033550-02-30117 016</p>	
<p>GEN DESIGN PART: 1450-071A <b>JOHN J. O'SULLIVAN &amp; ASSOCIATES</b> -Planning &amp; Architectural Consultants - Consulting Engineers &amp; Surveyors- Lindhu, Reemheen East, GLENGARRIFF, Co. Cork, P75 YX02 Ireland Tel: 027 63726 Fax: 027 63527 Email: info@jja.ie Website: www.jja.ie</p>					



**AQUACULTURE LICENCE APPLICATION**  
**AREA SHOWN OUTLINED IN RED**  
 Area = 18.75Hectares  
 Corner Point Co-ordinates are to Irish Grid (IG)



<p>Client: <b>WIND ATLANTIC SEA PRODUCTS LTD</b></p> <p>Project: <b>SEAWEED AQUACULTURE LICENCE APPLICATION, IN BARRY BAY, CO CORK (BANK, CASTLETONSHEEL)</b></p>	<p>Drawing Title: <b>ISSUE FOR AQUACULTURE LICENCE</b></p> <p>Scale: <b>6" MSP A3/A4</b></p> <p>Date: <b>13 - 11-2010</b></p> <p>Drawn: <b>CS/16</b></p>	<p>Client: <b>WIND ATLANTIC SEA PRODUCTS LTD</b></p> <p>Project: <b>SEAWEED AQUACULTURE LICENCE APPLICATION, IN BARRY BAY, CO CORK (BANK, CASTLETONSHEEL)</b></p>	<p>Client: <b>WIND ATLANTIC SEA PRODUCTS LTD</b></p> <p>Project: <b>SEAWEED AQUACULTURE LICENCE APPLICATION, IN BARRY BAY, CO CORK (BANK, CASTLETONSHEEL)</b></p>
<p><b>JOHN J. O'SULLIVAN &amp; ASSOCIATES</b>        -Planning &amp; Architectural Consultants - Consulting Engineers &amp; Surveyors-        'Lindhu', Rannamen East, GLENGARRIFF, Co. Cork, P75 YK32 Ireland        Tel: 027 03120 - Fax: 027 03557 - Office email: john@jja.ie - Web site: www.jja.ie -</p>		<p>Client: <b>WIND ATLANTIC SEA PRODUCTS LTD</b></p> <p>Project: <b>SEAWEED AQUACULTURE LICENCE APPLICATION, IN BARRY BAY, CO CORK (BANK, CASTLETONSHEEL)</b></p>	<p>Client: <b>WIND ATLANTIC SEA PRODUCTS LTD</b></p> <p>Project: <b>SEAWEED AQUACULTURE LICENCE APPLICATION, IN BARRY BAY, CO CORK (BANK, CASTLETONSHEEL)</b></p>
<p>Author: <b>John Gavin, B.Sc. Tech. Tech.</b></p> <p>Checker: <b>Gerard Harrington, B.Sc. Arch. Tech.</b></p> <p>Date: <b>30/01/2017</b></p>	<p>Client: <b>WIND ATLANTIC SEA PRODUCTS LTD</b></p> <p>Project: <b>SEAWEED AQUACULTURE LICENCE APPLICATION, IN BARRY BAY, CO CORK (BANK, CASTLETONSHEEL)</b></p>	<p>Client: <b>WIND ATLANTIC SEA PRODUCTS LTD</b></p> <p>Project: <b>SEAWEED AQUACULTURE LICENCE APPLICATION, IN BARRY BAY, CO CORK (BANK, CASTLETONSHEEL)</b></p>	<p>Client: <b>WIND ATLANTIC SEA PRODUCTS LTD</b></p> <p>Project: <b>SEAWEED AQUACULTURE LICENCE APPLICATION, IN BARRY BAY, CO CORK (BANK, CASTLETONSHEEL)</b></p>



## SCHEDULE 3

Schedule 3 contains:

- requirements of the MSO and/or CIL
  1. The applicant must secure Statutory Sanction from the Commissioners of Irish Lights for the aids to navigation that may be required by the Marine Survey Office. These aids must be in place before development on the site commences.
  2. The size and specification of aids to navigation must be of design and specification approved by the Marine Survey Office and must be agreed in advance with the Commissioners of Irish Lights.
- the navigation marking detail
- The four corners of the site must be marked with a special mark buoy with light and topmark.

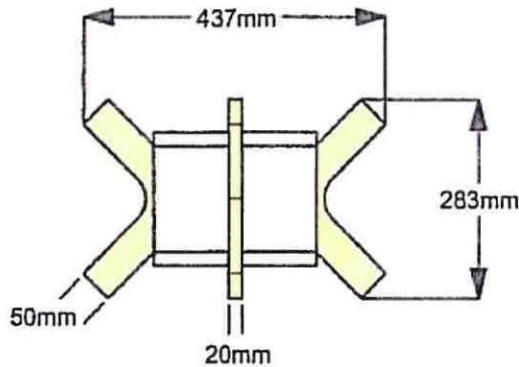
DRAFT



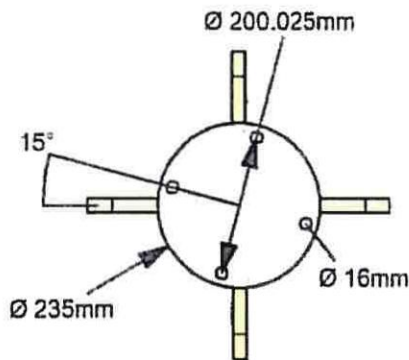
GLEN DESIGN PARTNERSHIP T/A

# JOHN J. O'SULLIVAN & ASSOCIATES

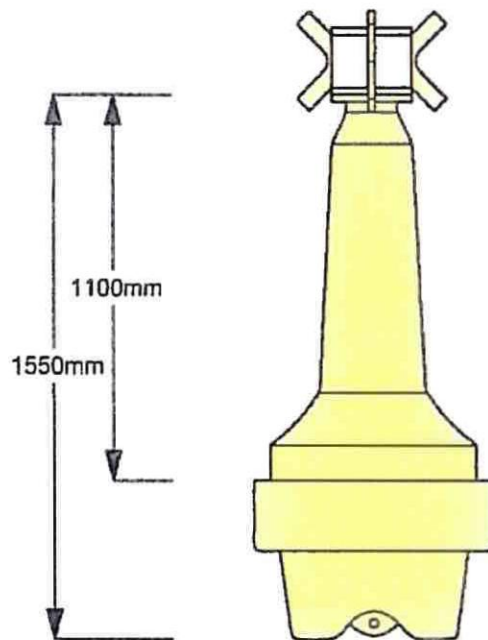
• Planning & Architectural Consultants • Consulting Engineers & Surveyors •  
 'Lindhu', Reenmeen East, GLENGARRIFF, Co. Cork, P75 YX92 Ireland  
 • Tel: 027 63126 • Fax: 027 63557 • Office email: info@jjos.ie • Website: www.jjos.ie •



SIDE ELEVATION :  
SPECIAL MARK BEACON



PLAN :  
SPECIAL MARK BEACON



ELEVATION :  
FLOATING MARKER BUOY  
SCALE 1:20

### Floating Marker Buoy Specification

- Total Height 1550mm
- Total Weight 65kg
- Diameter 600mm
- Volume 189 Litres
- Focal View 1100mm
- Mooring Ring Diameter 25mm
- Mooring block & line suitable for location

Client: WILD ATLANTIC SEA PRODUCTS LTD

Project: SEAWEED AQUACULTURE LICENCE APPLICATION,  
 IN BANTRY BAY, CO. CORK  
 (BANK, CASTLETOWNBERE)

Drawing Status: ISSUE FOR PLANNING

Drawing Title: Floating Nav Buoy

Scale: A4 - 1:20

O.S.S.: CK116

Drawn By: John Galvin

Checked By: Gerard Harrington

Date: 30/01/2017

Dwg No: L00331501-02



## SCHEDULE 4

### Schedule 4

- the seeding/plant and/or equipment deployment conditions (if applicable).
- 2 No. 220m x 200m floating longline grid system to be used.
- The flotation barrels should be battleship grey in colour.
- Each floating longline should not be longer than 200 metres in length.
- Only native species of seaweed to be cultivated on this site.
- Source of Seed must be approved by the Department of Agriculture, Food and the Marine.
- An unobstructed 50m channel must be maintained through the site to allow safe access and egress to Bank Harbour/Pier.

DRAFT